

100% Made In Taiwan

Water Turnkey Solution

※The turnkey program is cooperated and achieved by professional suppliers:

- 1. Preform Producing Supplier
- 2. Bottle Blowing Supplier
- 3. Bottle Filling Supplier
- 4. Bottle Packaging Supplier
- 5. Formula R&D Supplier
- 6. Engineering Company

※The Turnkey plant is tailor designed based on clients' needs and requirement

※ PuMao is in charge of Turney program Integration & Communication.

PuMao is also the preform producing line supplier.

It is our pleasure to provide our good service to clients. Please contact us for your convenience.

PUMAO

TAIWAN PU MAO MARKETING CO., LTD

Office: No. 266, Dongqi St., Dongshi Town, Taichung Country 423, Taiwan (R.O.C.)

Tel: +886-(0)-910-810-800 / 935-118-150 Fax: +886-(0)-945-617-138

E-mail: taiwan@pumao.com.tw

Website: www.pumao.com



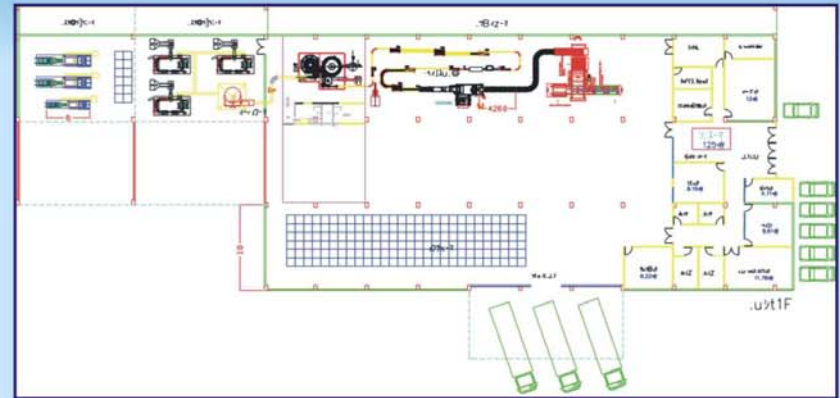
PUMAO

Turnkey Solution

For

Bottled Mineral Water Plant & Various Bottled Drink Plant

100% Made In Taiwan



Turnkey Plant Service Scope:

Products: Mineral Water in PET Bottle Line
Carbonated Beverage in PET Bottle Line
Tea, Milk Tea, Juice, Sport Drink in PET Bottle Line

TAIWAN YES!!

Equipment: PET Preform & Bottle Cap Producing Line
PET Bottle Producing Line
Water Treatment Line
Bottle Filling Line
Bottle Packaging Line



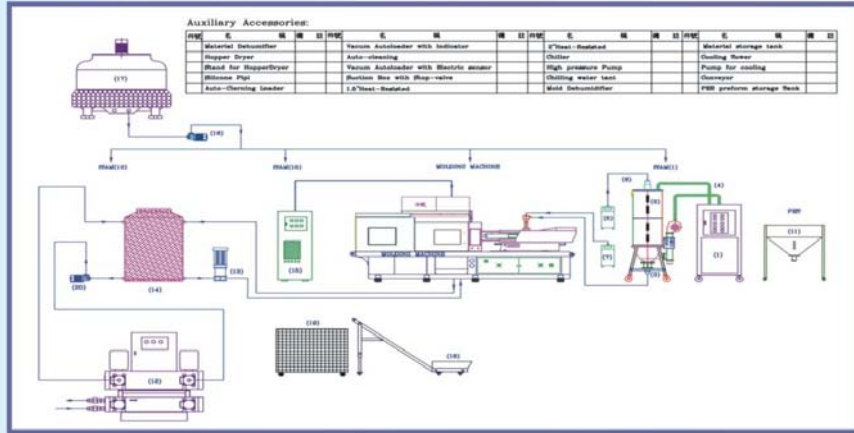
Formula: Various Flavor Drinks

Technical / Engineering Service:

Field Engineering for the whole production line
Technical Training Education and Consulting
The bottle plant distribution Designing and Programming

TAIWAN YES!!

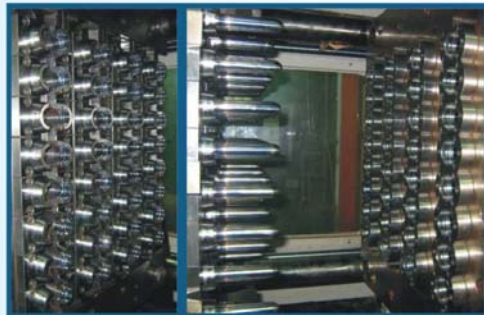
Others: Separate Equipments and Machinery Service



PET Injection Molding Machine



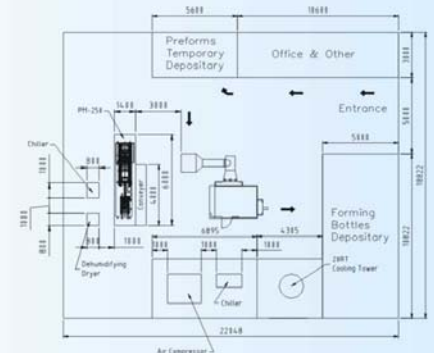
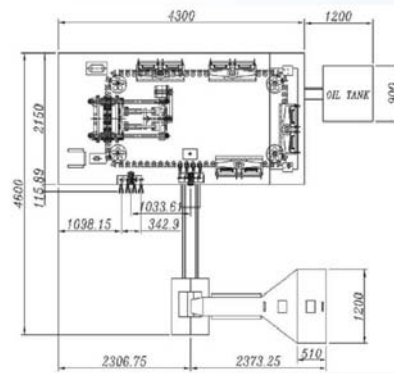
Preform Mold



Preform Mold Structure



Hot Runner



Preform Ejecting

Bottle Blowing

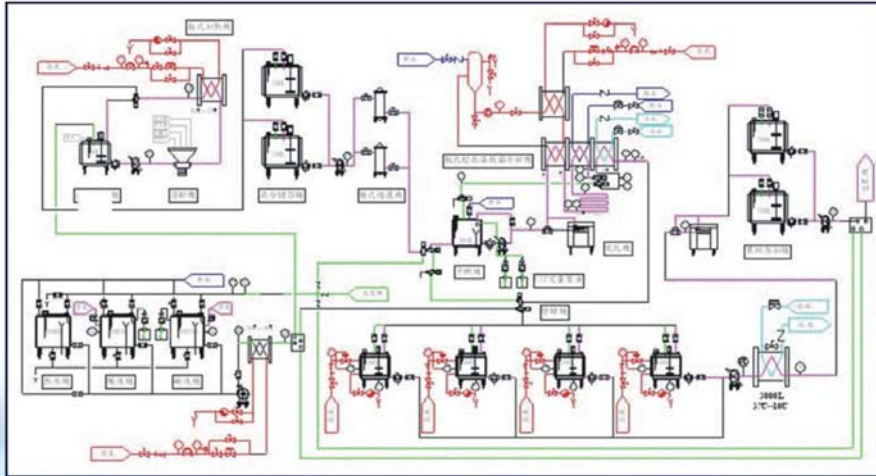


Stretch Blow Molding Machine

Option: Rotary Blow Molding Machine / Liner Blow Molding Machine



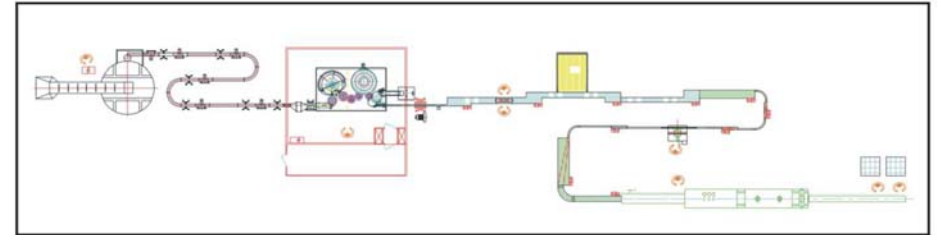
Water Treatment Line & Liquid Process System



1. Tea Extraction System
2. Dissolving System for Powder & Sugar
3. Blending & Processing System
4. Tubular & Plate Type Pasteurizer
5. Automated CIP System
6. Automated Control System For Process



Bottle Filling & Packaging Line



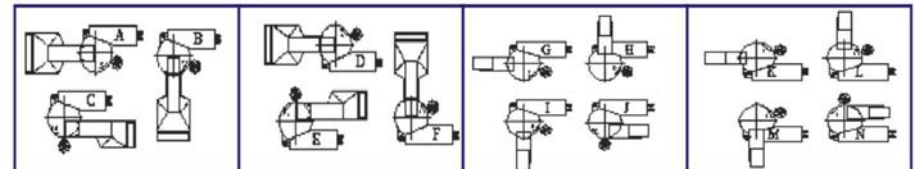
Packaging System Covers:

1. Bottle Unscrambler or Depalletizer
2. Bottle Cap Pasteurization, Rinser/Filler/Capper Monoblock
3. Bottle Tunnel Cooler, Bottle Dryer
4. Bottle Sleeve Labeling or OPP Rod-Feeding labeling
5. Bottle Packing Machine (wrap around or shrink wrapper)
6. Bottle Inkjet Coder for Bottle and Case
7. Bottle Palletizer
8. Bottle Various Conveyor System:
Including Air Conveyor, Gable Top Chain Conveyor, Roller Chain, Plastic Conveyor
9. Other Necessary Equipment Based on the Design of Production Line

Bottle Unscrambler or Depalletizer

Accurate: Control By PLC, Stop running while bottle is full.

Energy Saving: Speed Controlled by converter automatically,
save power consumption and man power.



3 In 1 - Rinser / Filler / Capper

Rinser/Filler/Capper Monobloc Design, Prevent Pollution & Save Power Consumption.



Rinsing Unit

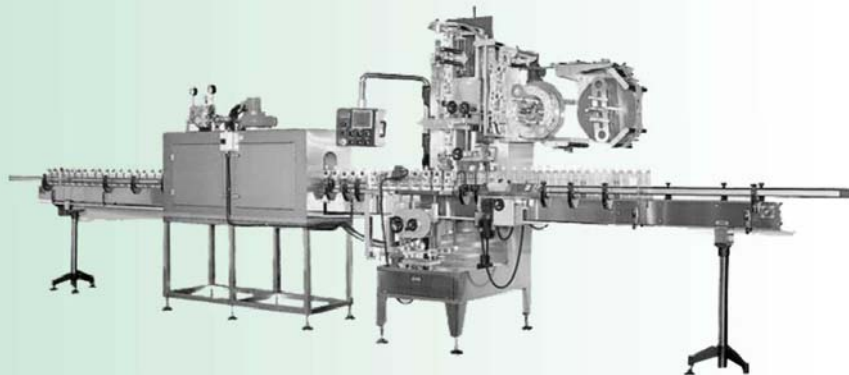


Filling Unit



Capping Unit

Bottle Sleeve Labeling & Shrink Tunnel



Bottle Packing Carton Wrap Around / Tray Forming or Shrink Wrapper



Bottle Palletizer -



Bottle Conveyor Systems Air Conveyor, Gable Top Chain Conveyor, Roller Chain, Plastic Conveyor

